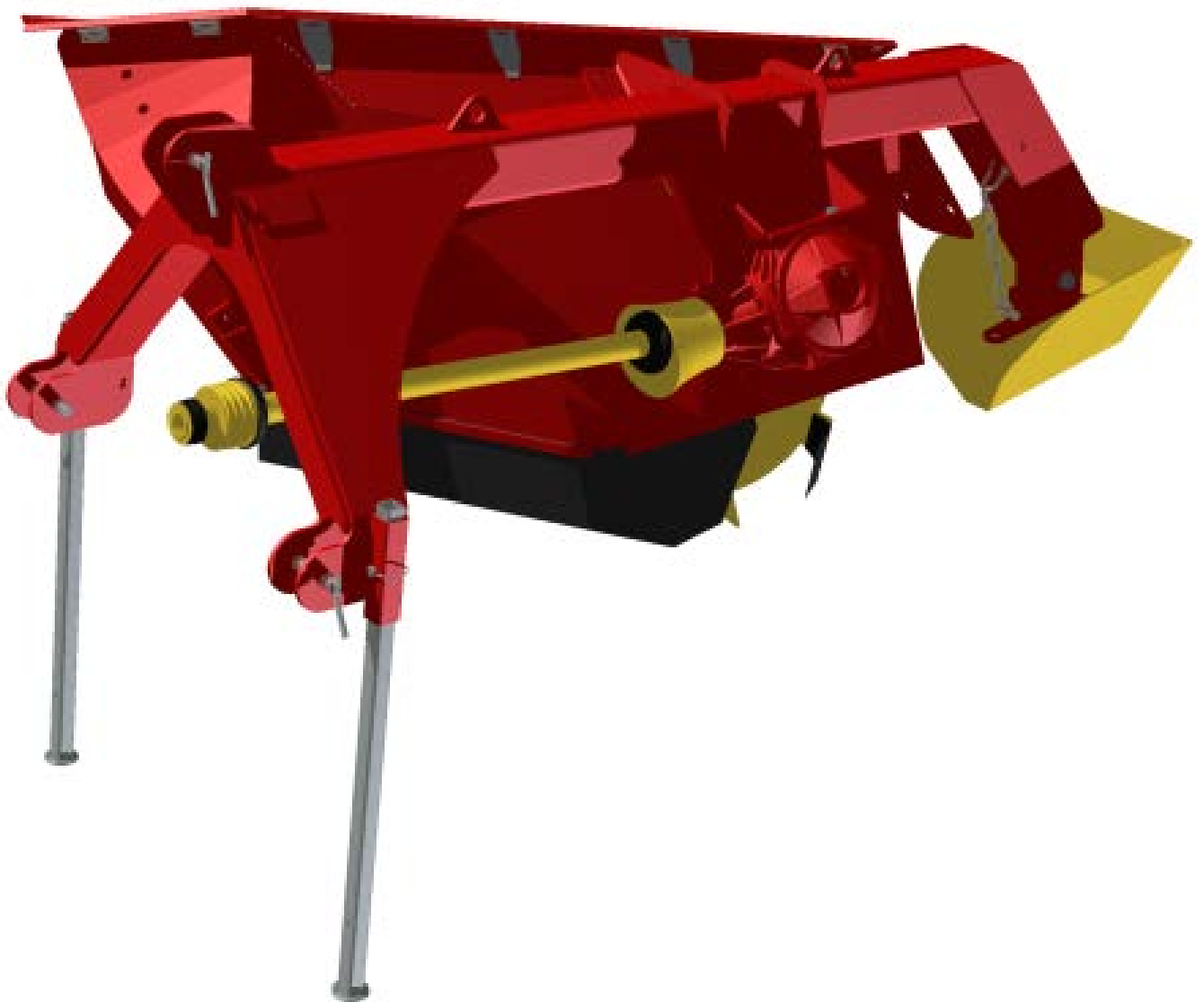
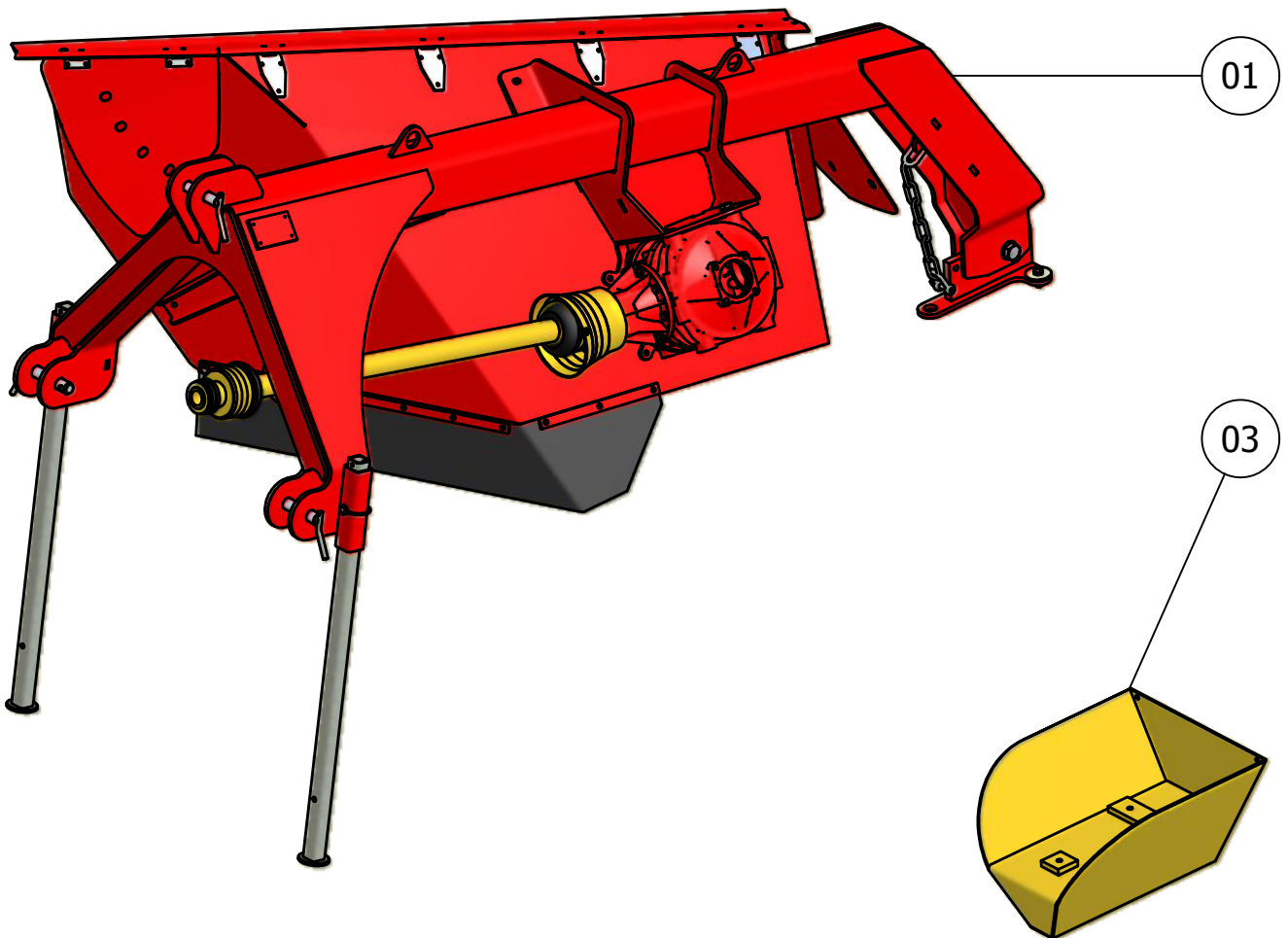
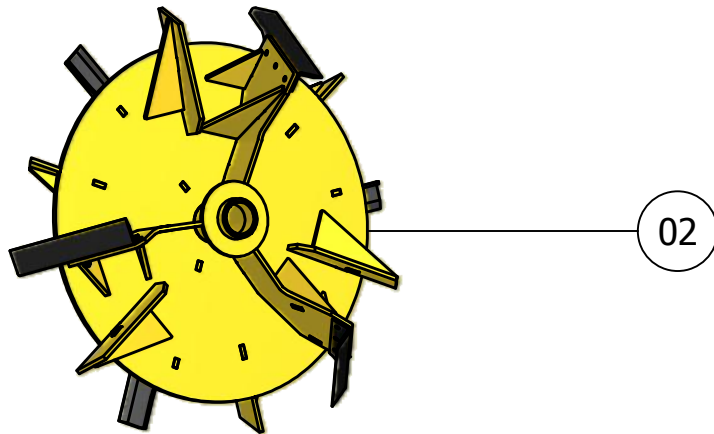


ONDERDELENBOEK

Greppelfrees TK45-650

Serie no.: 320.0380 – 320.0481

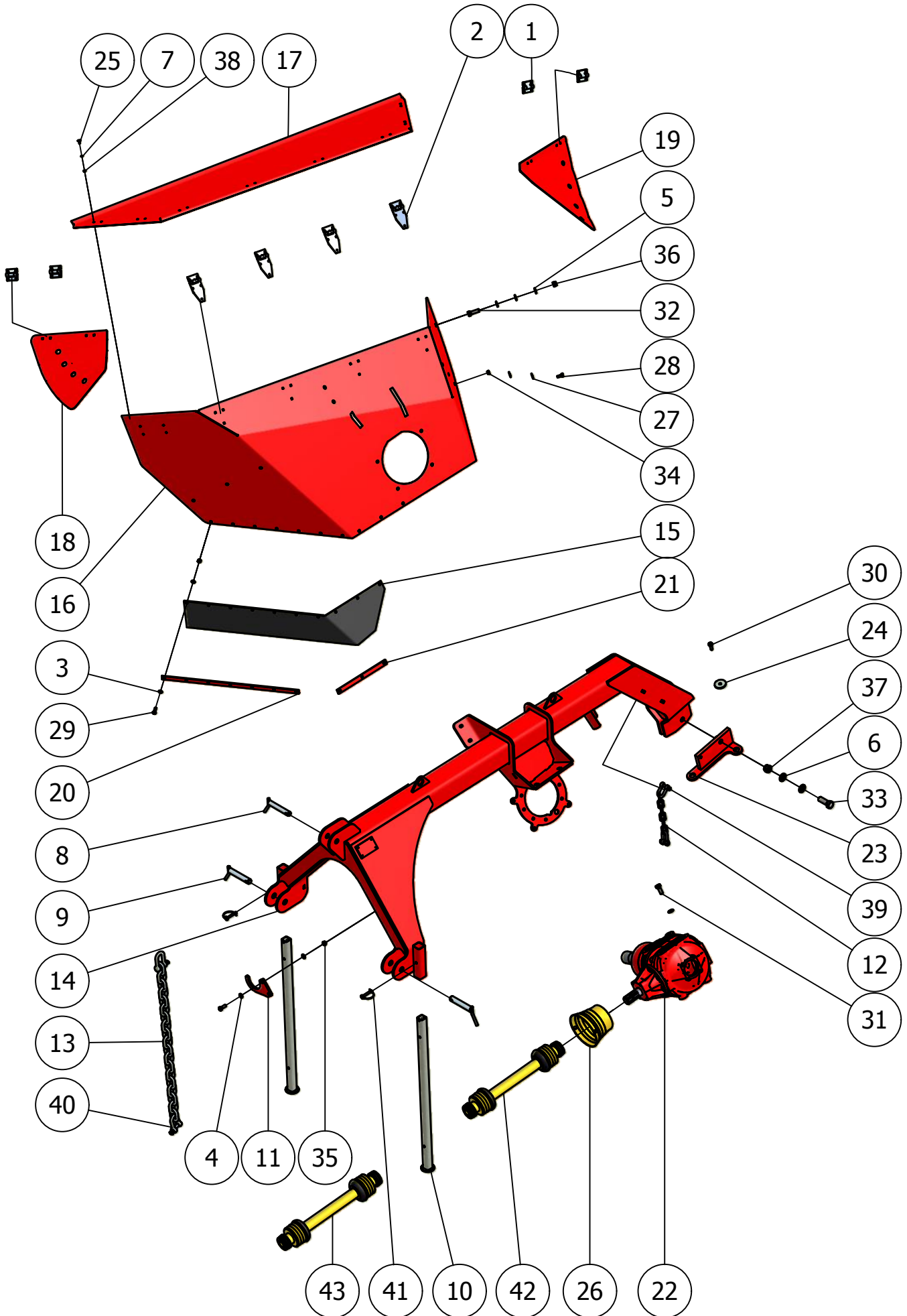




Inhoudsopgave

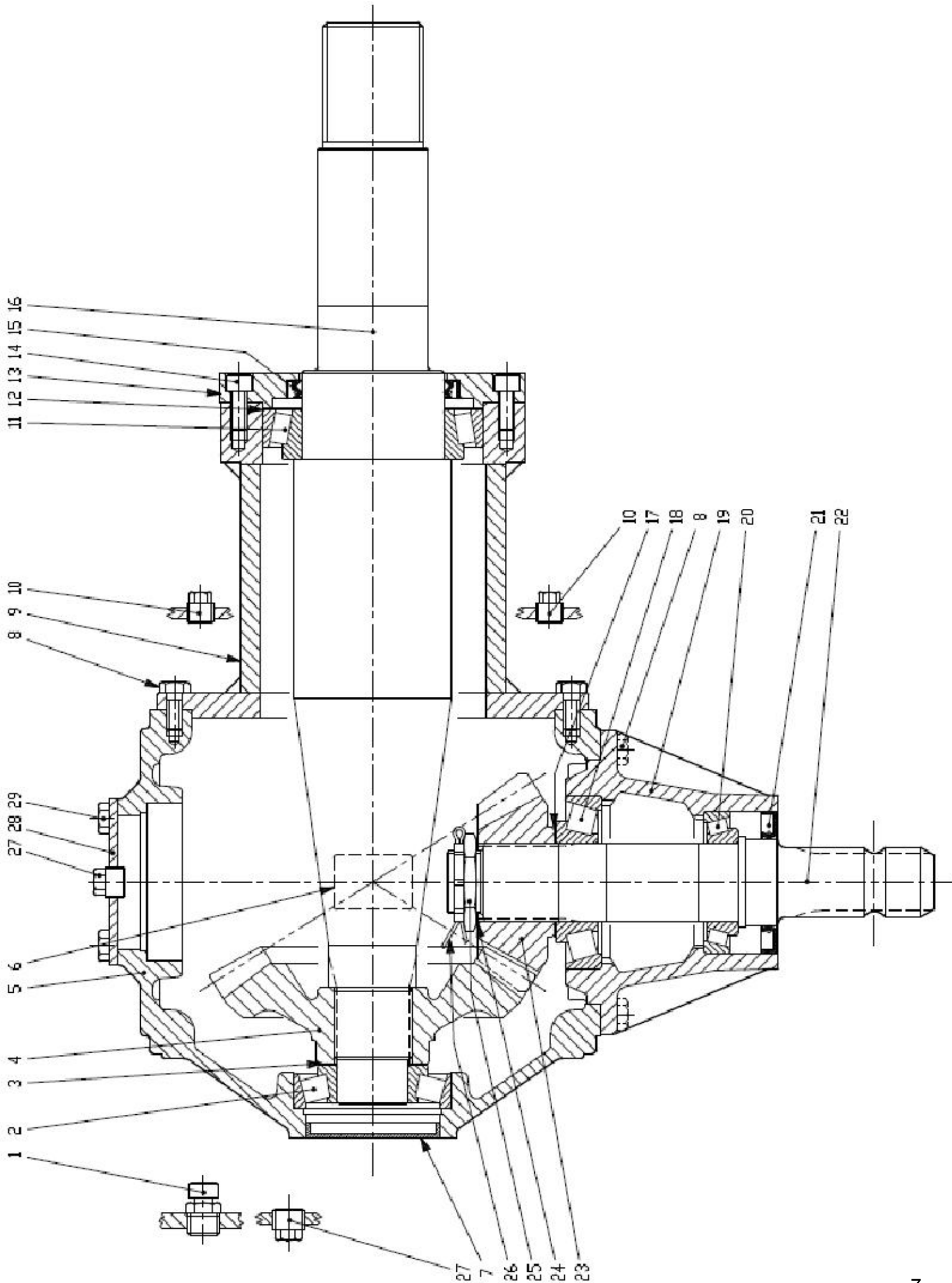
| | Pagina |
|------------------------------|-----------|
| 01. Frame | 5 |
| 01.01. Tandwielkast | 7 |
| 02. Freeswielen TK45 | |
| 02.01. Freeswiel FW-8 | 9 |
| 02.02. Freeswiel FW-12 | 10 |
| 03. Freeswielen TK650 | |
| 03.01. Freeswiel FW-8S | 11 |
| 03.02. Freeswiel FW-12S | 12 |
| 04. Sleepvoeten | 13 |

01. Frame



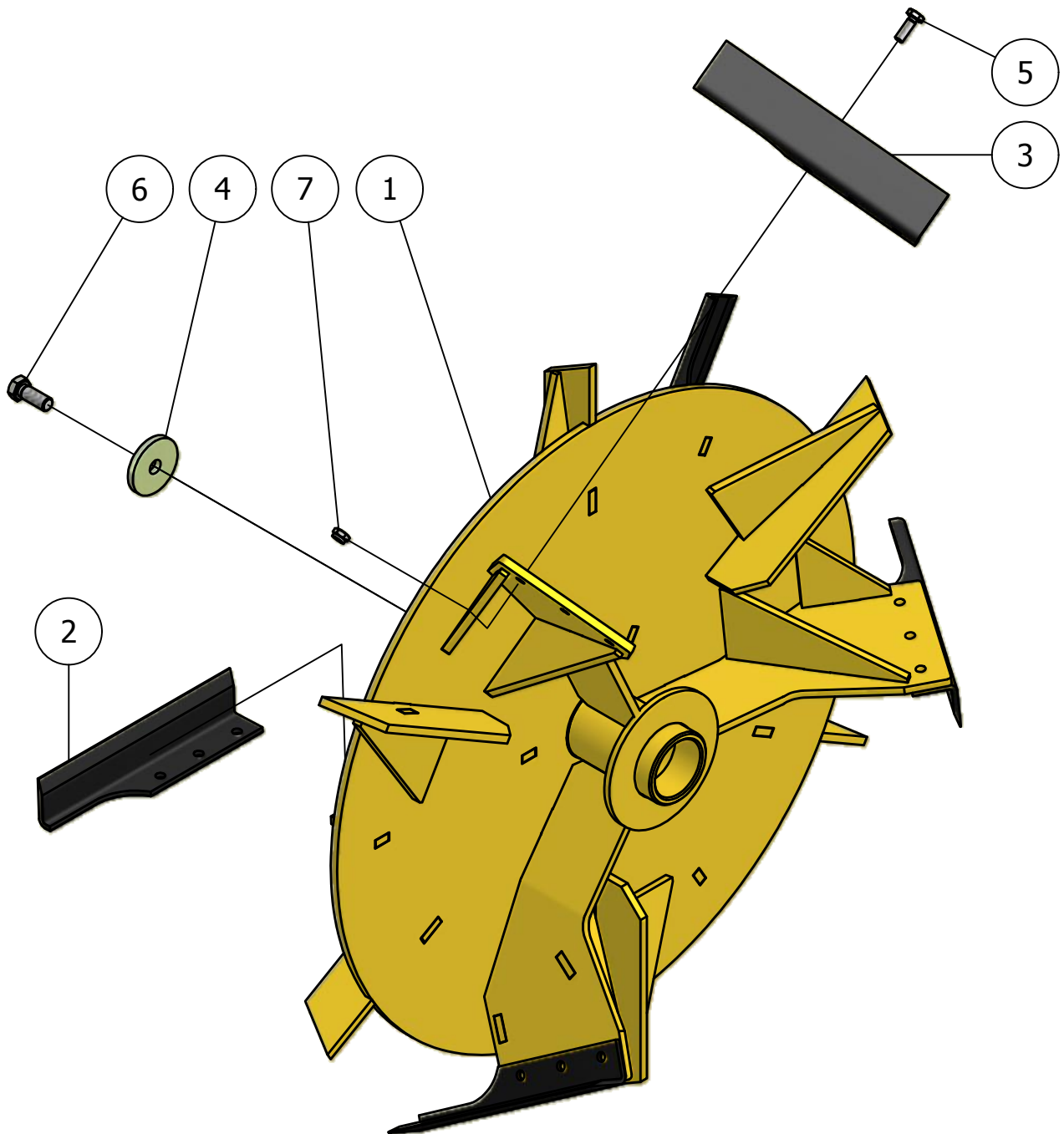
01. Stuklijst frame

| Stukn. | Artikelnummer | Omschrijving | Aant. | Opmerking |
|--------|---------------|-------------------------------------|-------|------------------------|
| 1 | 121162 | Scharnier RVS opbouw 270° | 4 | |
| 2 | 121166 | Scharnier RVS met smeernippel | 4 | |
| 3 | 121179 | Sluitring M10 DIN125A ELVZ | 32 | |
| 4 | 121183 | Sluitring M12 DIN125A ELVZ | 4 | |
| 5 | 121187 | Sluitring M16 DIN125A ELVZ | 5 | |
| 6 | 121193 | Sluitring M24 DIN125A ELVZ | 2 | |
| 7 | 121202 | Sluitring M6 DIN125A ELVZ | 40 | |
| 8 | 121373 | Topstangpen | 1 | |
| 9 | 121375 | Hefpen | 2 | |
| 10 | 320.01.007 | Steunpoot TK-45/650 | 2 | |
| 11 | 320.01.010 | Ophangbeugel aftakas | 1 | |
| 12 | 320.01.011 | Ketting 6-schakels Greppelfrees | 1 | |
| 13 | 320.01.013 | Topketting 16x56 DIN764B 19schakels | 1 | |
| 14 | 320.01.015 | Greppelfrees-frame TK-45/650 | 1 | |
| 15 | 320.02.059 | Afschermrubber TK-45/650 | 1 | |
| 16 | 320.02.060 | Afschermplaat Freeswiel | 1 | |
| 17 | 320.02.061 | Bovenplaat afscherming freeswiel | 1 | |
| 18 | 320.02.062 | Verstelklep voorzijde | 1 | |
| 19 | 320.02.063 | Verstelklep achterzijde | 1 | |
| 20 | 320.02.064 | Contrastrip lang | 1 | |
| 21 | 320.02.065 | Contrastrip kort | 1 | |
| 22 | 320.03.060 | Tandwielkast T301 TK45/650 | 1 | Olie: 5.6 Ltr SAE80W90 |
| 23 | 320.05.005 | Sleepvoetbevestiging TK-45/650 | 1 | |
| 24 | 440.03.013 | Borgring 61x13x6 | 1 | |
| 25 | 122054 | Slotbout M6x16 DIN603 ELVZ kl.8.8 | 1 | |
| 26 | 122420 | Beschermkap aftakas | 1 | |
| 27 | 122536 | Carrosseriering M10 DIN9021A ELVZ | 2 | |
| 28 | 122748 | Bout M10x25 DIN933 ELVZ | 6 | |
| 29 | 122749 | Bout M10x30 DIN933 ELVZ | 16 | |
| 30 | 122768 | Bout M12x35 DIN933 ELVZ | 5 | |
| 31 | 122793 | Bout M16x40 DIN933 ELVZ | 2 | |
| 32 | 122797 | Bout M16x50 DIN933 ELVZ | 1 | |
| 33 | 122811 | Bout M24x70 DIN933 ELVZ | 1 | |
| 34 | 122937 | Moer M10ZB DIN985 ELVZ | 22 | |
| 35 | 122940 | Moer M12ZB DIN985 ELVZ | 2 | |
| 36 | 122945 | Moer M16ZB DIN985 ELVZ | 1 | |
| 37 | 122954 | Moer M24ZB DIN985 ELVZ | 1 | |
| 38 | 122965 | Moer M6ZB DIN985 ELVZ | 40 | |
| 39 | 123303 | D-Sluiting | 2 | |
| 40 | 123304 | D-Sluiting | 2 | |
| 41 | 124101 | Borgpen 9,5x68mm | 2 | |
| 42 | 126203 | Aftakas W2400/1210 met breek. 1-3/4 | 1 | TK-45 |
| 43 | 126204 | Aftakas W2500/1210 met breek. 1-3/4 | 1 | TK-650 |

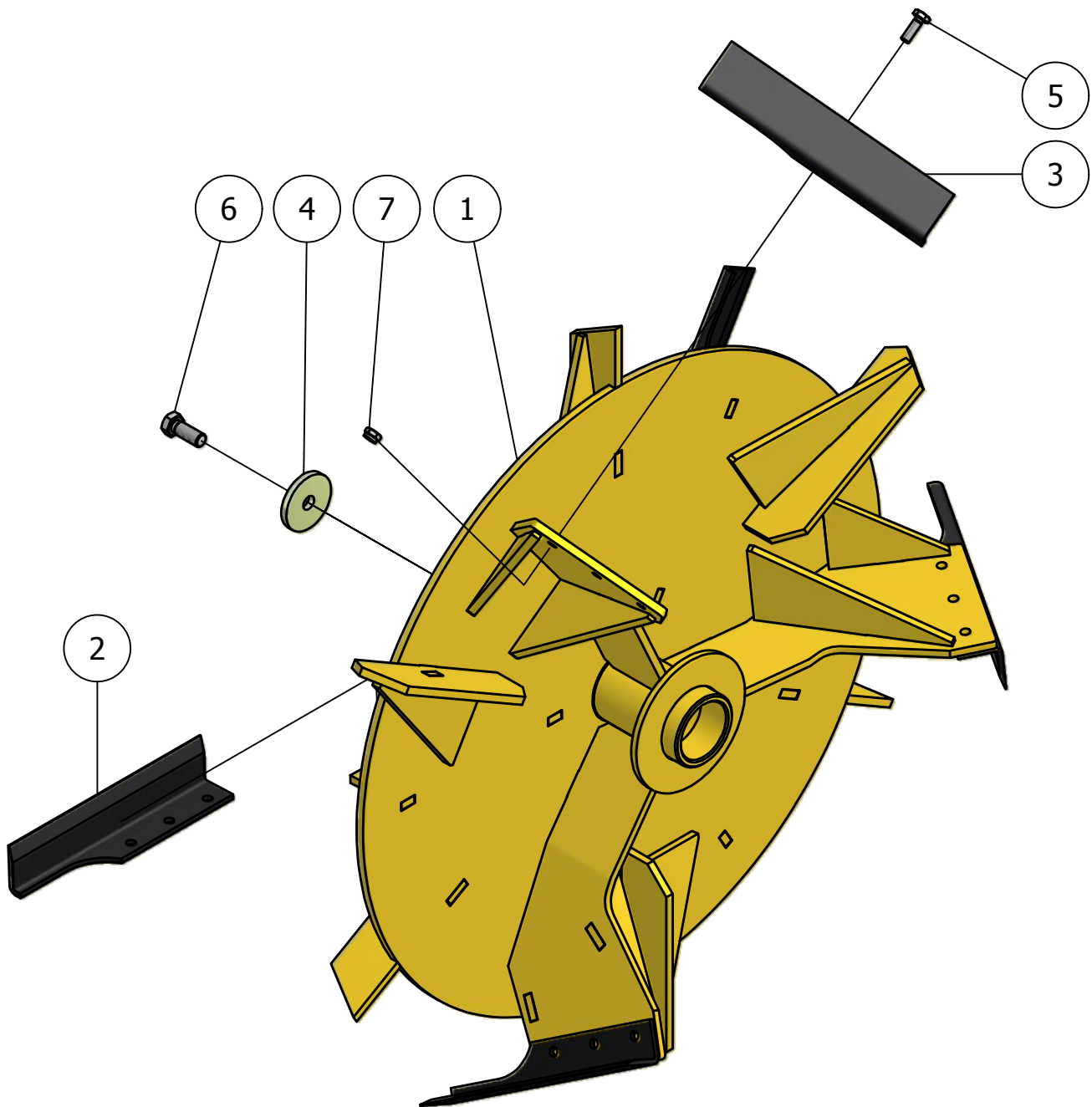


01.01. Stuklijst tandwielkast 320.03.060

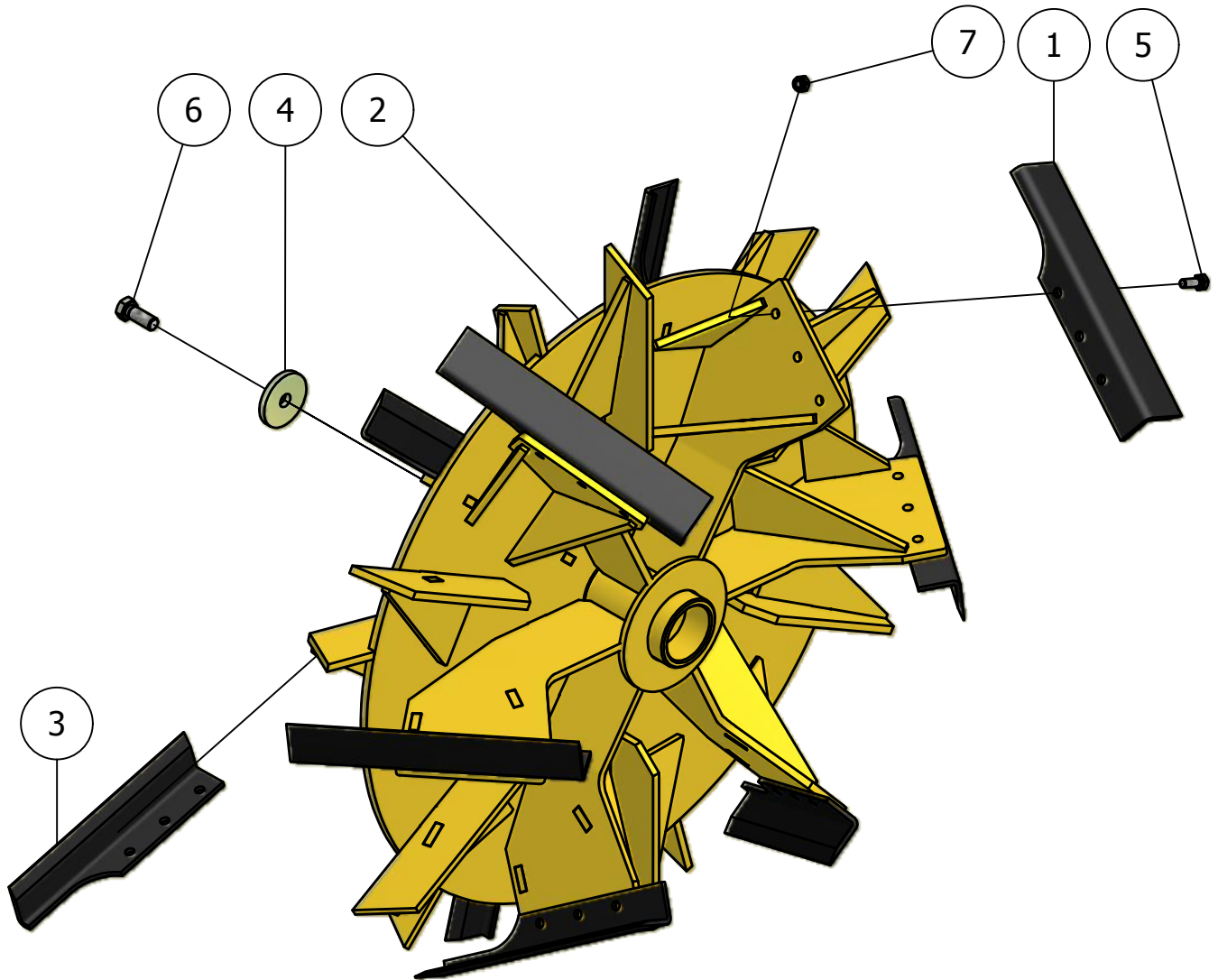
| Stukn. | Artikelnummer | Omschrijving | Aant. | Opmerking |
|--------|---------------|------------------------------|-------|-----------|
| 1 | 125343 | Olieplug | 1 | |
| 2 | 121517 | Lager | 1 | |
| 3 | 0.252.7500.00 | Shim | 1 | |
| 4 | 0.301.6002.00 | Tandwiel Z=27 M7.5 | 1 | |
| 5 | 0.301.0300.00 | Behuizing tandwielkast | 1 | |
| 6 | 0.124.7101.00 | Typeplaatje | 1 | |
| 7 | 125277 | Afdichtkap | 1 | |
| 8 | 122748 | Bout M10x25 DIN933 ELVZ | 18 | |
| 9 | 2.301.1744.00 | Tussenstuk tandwielkast | 1 | |
| 10 | 125342 | Afsluitplug | 2 | |
| 11 | 32018XA | Lager 32018 X | 1 | |
| 12 | 0.144.7500.00 | Shim | 1 | |
| 13 | 320.03.060.03 | Deksel tandwielkast | 1 | |
| 14 | 9121025 | Inbusbout M10x25 DIN912 ELVZ | 8 | |
| 15 | 126368 | Keerring | 1 | |
| 16 | 0.301.3233.00 | Uitgaande as tandwielkast | 1 | |
| 17 | 0.712.7500.00 | Shim | 1 | |
| 18 | 121520 | Lager | 1 | |
| 19 | 0.301.1301.00 | Lagerhuis tandwielkast | 1 | |
| 20 | 125673 | Lager | 1 | |
| 21 | 121968 | Keerring | 1 | |
| 22 | 0.301.2000.00 | Ingaande as tandwielkast | 1 | |
| 23 | 0.301.5002.00 | Tandwiel Z=17 M7.5 | 1 | |
| 24 | 0.244.7510.00 | Shim | 1 | |
| 25 | 9354015 | Kroonmoer M40x1.5 DIN935 | 1 | |
| 26 | 94460 | Borgpen B4x60 | 1 | |
| 27 | 125343 | Afsluitplug | 2 | |
| 28 | 0.301.1755.00 | Plaat | 1 | |
| 29 | 122747 | Bout M10x16 DIN933 ELVZ | 4 | |



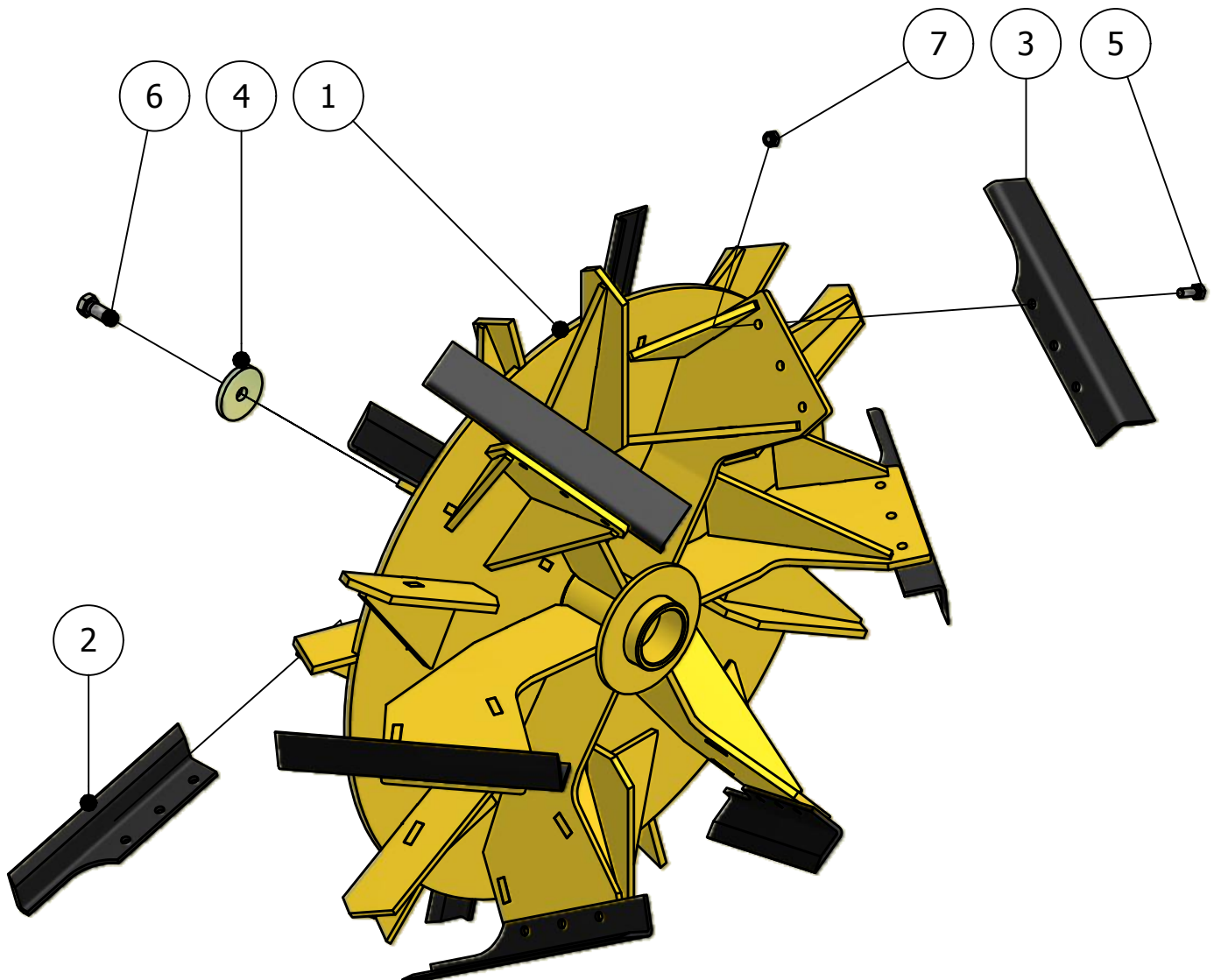
| Stukn | Artikelnummer | Omschrijving | Aant. | Opmerking |
|-------|---------------|--------------------------|-------|-----------|
| 1 | 320.04.003 | Freeswiel FW-8 TK-45 | 1 | |
| 2 | 320.04.013 | Freesmes rechts | 3 | |
| 3 | 320.04.014 | Freesmes links | 3 | |
| 4 | 440.03.054 | Borgschijf | 1 | |
| 5 | 122894 | Bout M10x1x30 DIN961 | 18 | |
| 6 | 122793 | Bout M16x40 DIN933 ELVZ | 1 | |
| 7 | 122938 | Moer M10x1ZB DIN985 ELVZ | 18 | |



| Stukn | Artikelnummer | Omschrijving | Aant. | Opmerking |
|-------|---------------|--------------------------|-------|-----------|
| 1 | 320.04.004 | Freeswiel FW-12 TK-45 | 1 | |
| 2 | 320.04.013 | Freesmes rechts | 3 | |
| 3 | 320.04.014 | Freesmes links | 3 | |
| 4 | 440.03.054 | Borgschijf | 1 | |
| 5 | 122894 | Bout M10x1x30 DIN961 | 18 | |
| 6 | 122793 | Bout M16x40 DIN933 ELVZ | 1 | |
| 7 | 122938 | Moer M10x1ZB DIN985 ELVZ | 18 | |

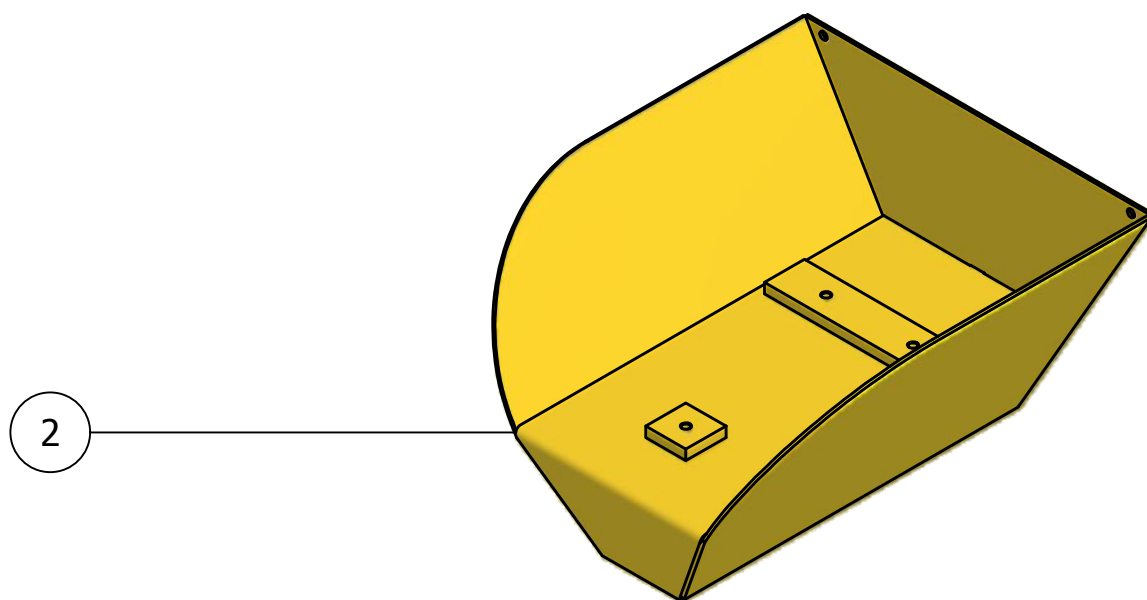
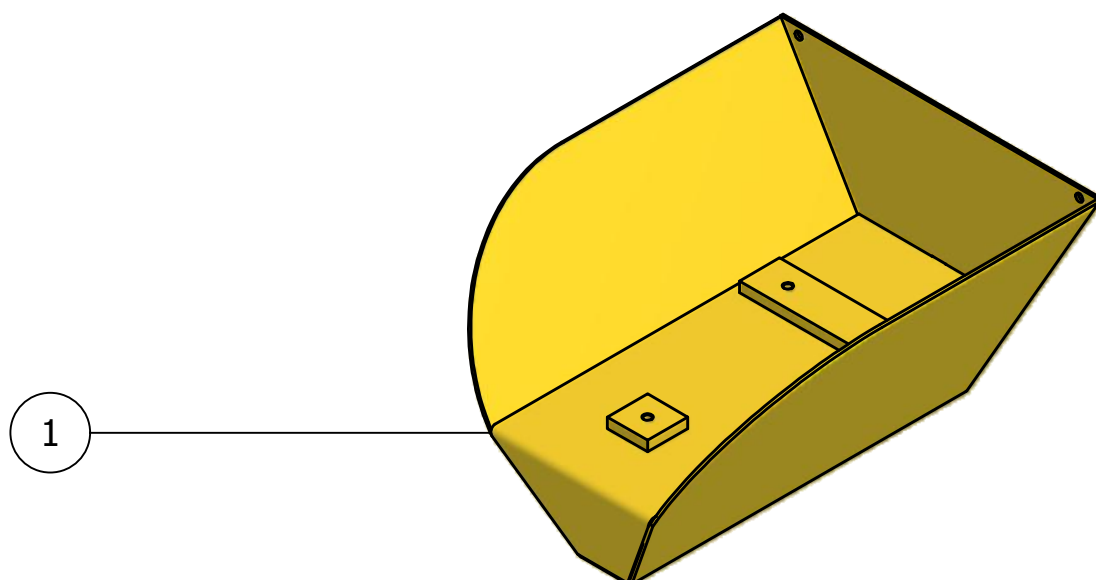


| Stukn | Artikelnummer | Omschrijving | Aant. | Opmerking |
|-------|---------------|--------------------------|-------|-----------|
| 1 | 320.04.015 | Freesmes links lang | 6 | |
| 2 | 320.04.010 | Freeswiel FW-8S TK-650 | 1 | |
| 3 | 320.04.013 | Freesmes rechts | 6 | |
| 4 | 440.03.054 | Borgschijf | 1 | |
| 5 | 122894 | Bout M10x1x30 DIN961 | 36 | |
| 6 | 122793 | Bout M16x40 DIN933 ELVZ | 1 | |
| 7 | 122938 | Moer M10x1ZB DIN985 ELVZ | 36 | |



| Stukn | Artikelnummer | Omschrijving | Aant. | Opmerking |
|-------|---------------|--------------------------|-------|-----------|
| 1 | 320.04.011 | Freeswiel FW-12S TK-650 | 1 | |
| 2 | 320.04.013 | Freesmes rechts | 6 | |
| 3 | 320.04.015 | Freesmes links lang | 6 | |
| 4 | 440.03.054 | Borgschijf | 1 | |
| 5 | 122894 | Bout M10x1x30 DIN961 | 36 | |
| 6 | 122793 | Bout M16x40 DIN933 ELVZ | 1 | |
| 7 | 122938 | Moer M10x1ZB DIN985 ELVZ | 36 | |

04. Sleepvoeten



| Stukn | Artikelnummer | Omschrijving | Aant. | Opmerking |
|-------|---------------|-------------------------|-------|-----------|
| 1 | 320.05.002 | Sleepvoet SV8 TK45/650 | 1 | |
| 2 | 320.05.003 | Sleepvoet SV12 TK45/650 | 1 | |

